



Sonnax.

• 6T40

1

3-5 Reverse

- . 3-5 reverse
- . Reverse
- . 3 5
- . 2-3 4-5

1-2-3-4

- . 1-2-3-4
- Forward
- . 1-2-3-4

1-2-3-4

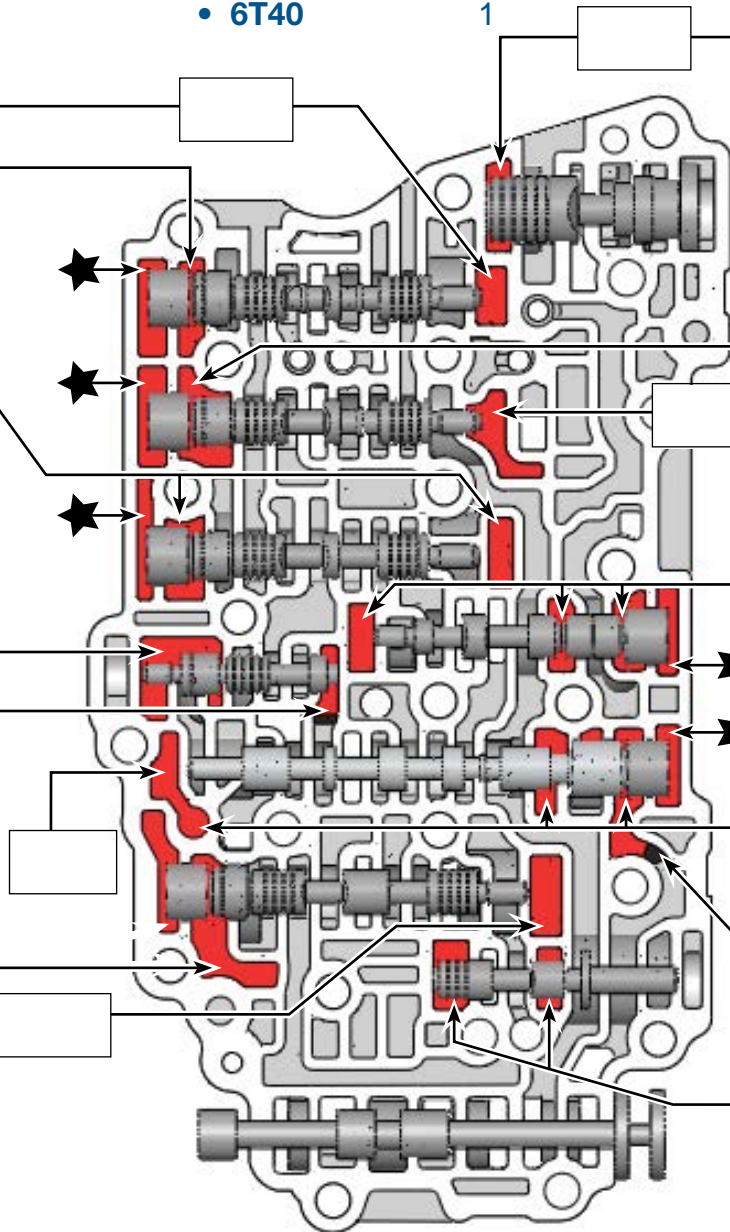
- . 1-2-3-4
- Forward
- . 1-2-3-4

Sonnax

144740-22
F-144740-TL21 & VB-FIX

Low Reverse
4-5-6 Clutch

- .L/R & 4-5-6
- . Reverse
- 4-5-6
- 3-4



-
-
-

Sonnax

104740-09K

2-6

- . 2-6
- . 2-6
- . 1-2 5-6

TCC

-
-

Sonnax

144740-16K
F-144740-TL16 & VB-FIX

-
-

-
-

AFL

-
- /
-

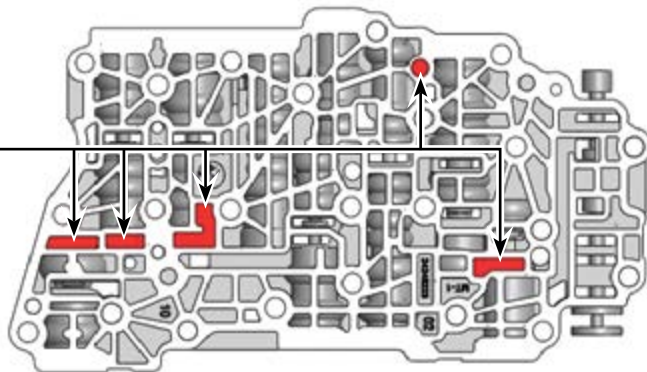
Sonnax

144740-01
144740-TL

6T40

1

*



-
- /
-

Sonnax

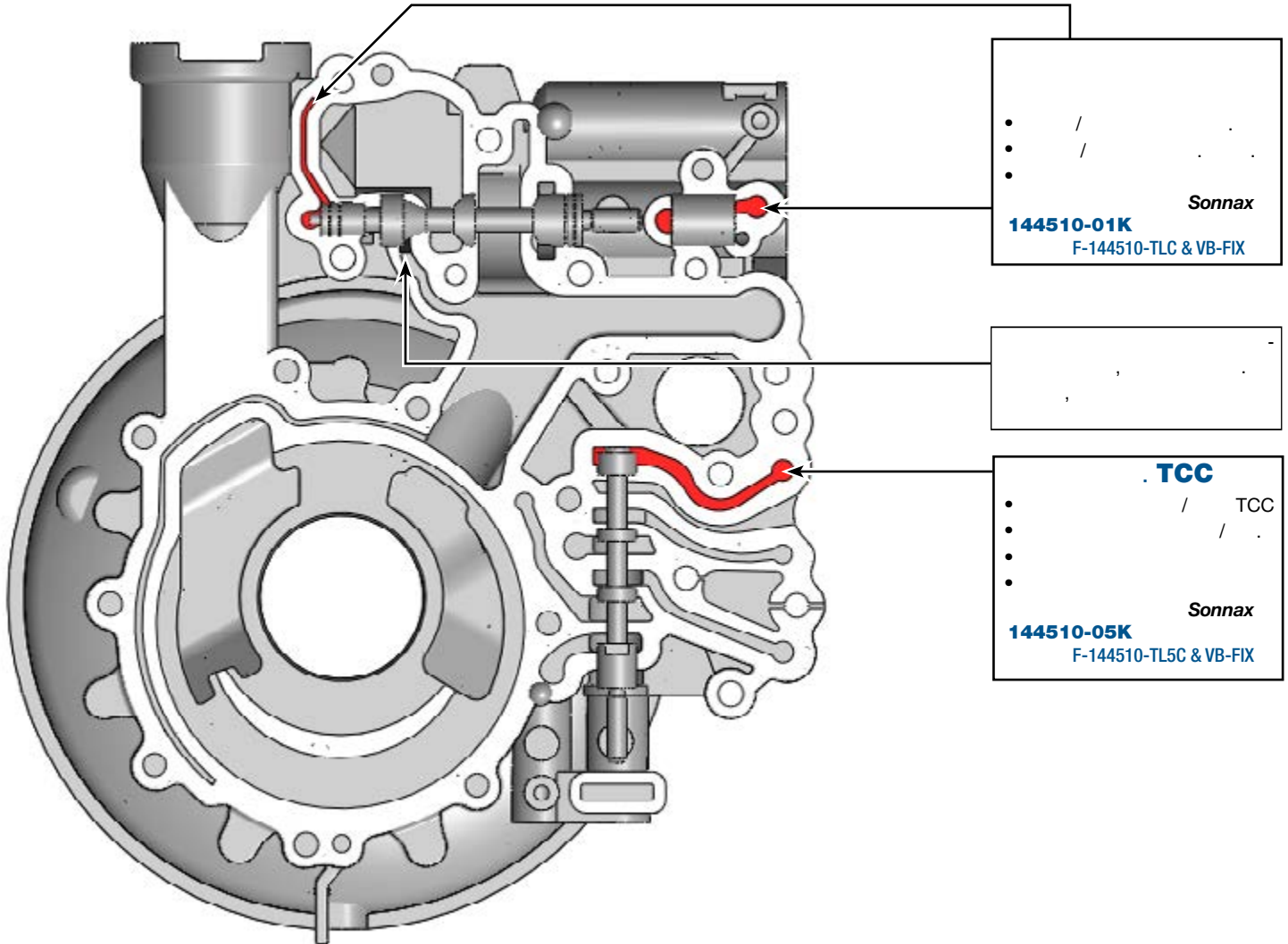
144740-02K
= ★



Sonnax.

• 6T40

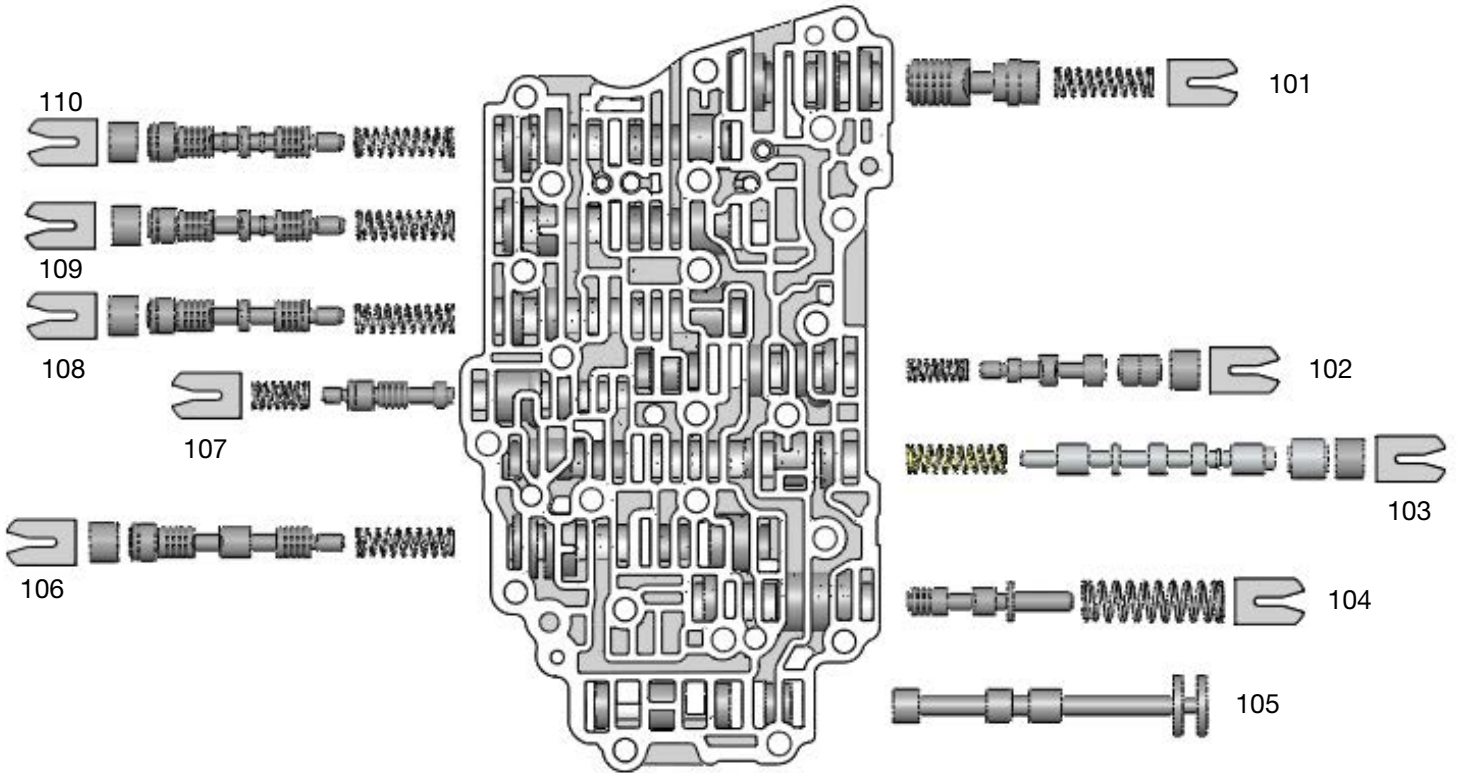
1





• 6T40

1

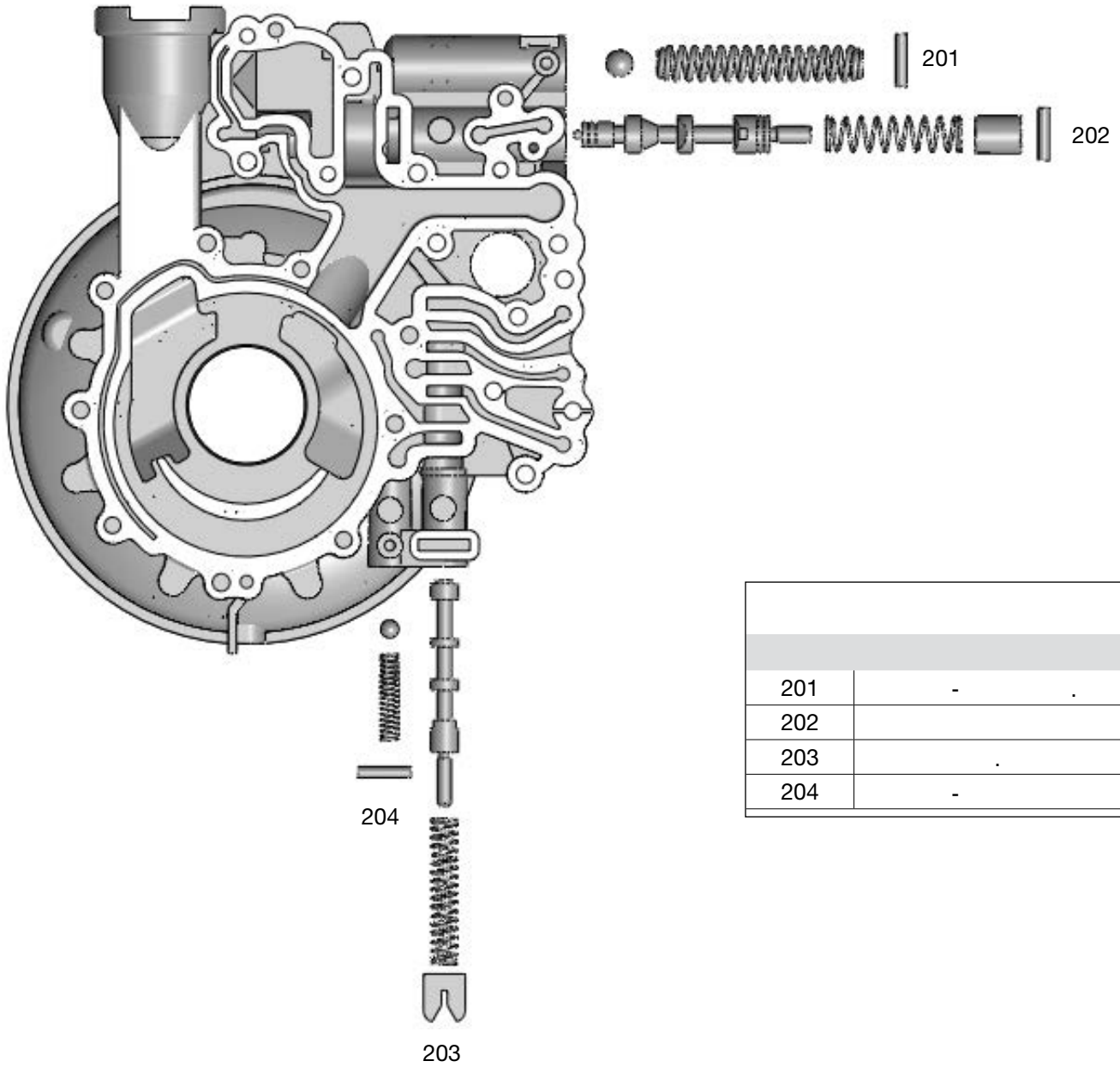


101	-
102	.
103	.()
104	AFL
105	
106	Reverse 4-5-6
107	1-2-3-4
108	1-2-3-4
109	2-6
110	3-5 Reverse



• 6T40

1



201	-	.
202		
203		.
204	-	