



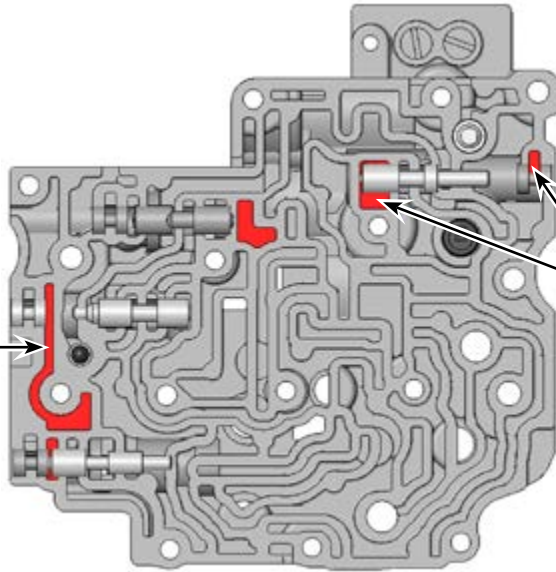
Sonnax.

**AW55-50SN**



( )

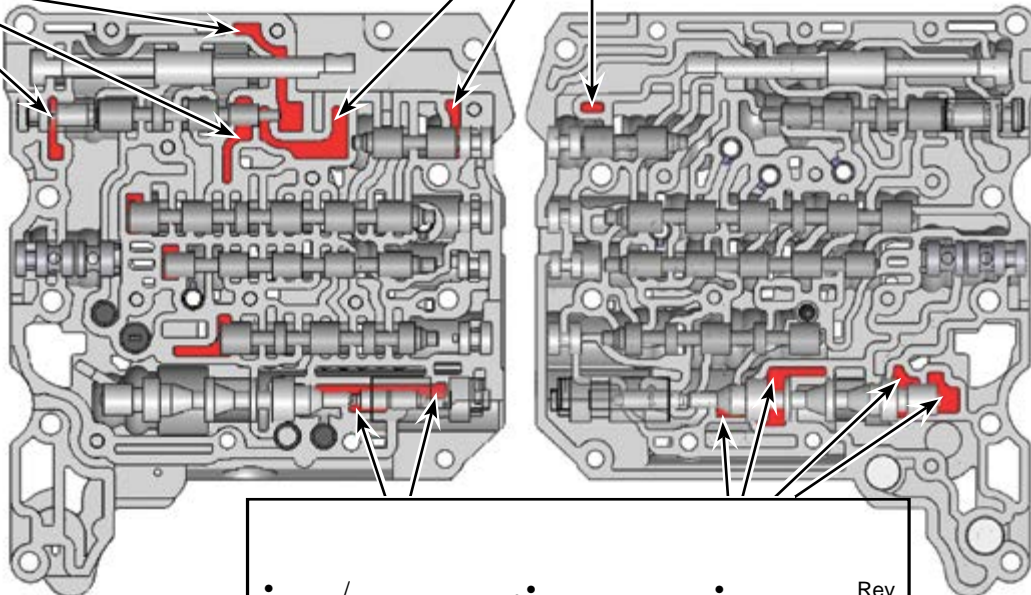
• D  
• D  
**Sonnax**  
**59947-35K**  
F-59947-TL34 & VB-FIX



• 3- , 4- 5-  
• TCC •  
• Forward • 2-3  
• 5-  
**Sonnax**  
**59947-34K**  
F-59947-TL34 & VB-FIX

• TCC •  
• B5  
• 2- 2-3  
**Sonnax**  
**59947-05K**

**3rd (B4)**  
• 2-3, 3-2 • 3-2  
• 3-2  
• 2-3 • 2-3  
**Sonnax**  
**59947-26K**  
F-59947-TL26 & VB-FIX



( )

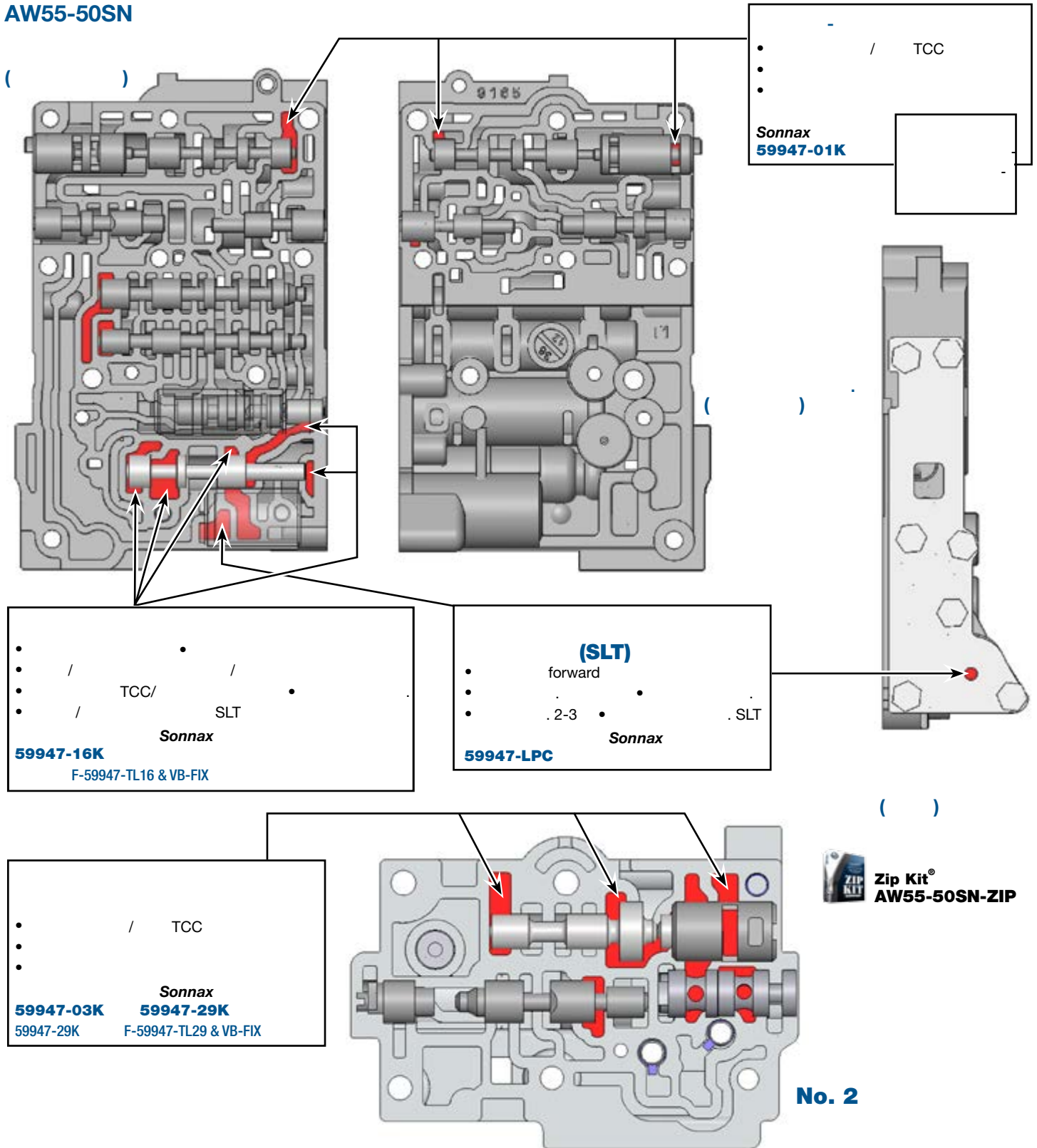
( )

• / • / • / Rev  
**Sonnax**  
**59947-07K 59947-12K**  
59947-12K F-59947-TL12 & VB-FIX

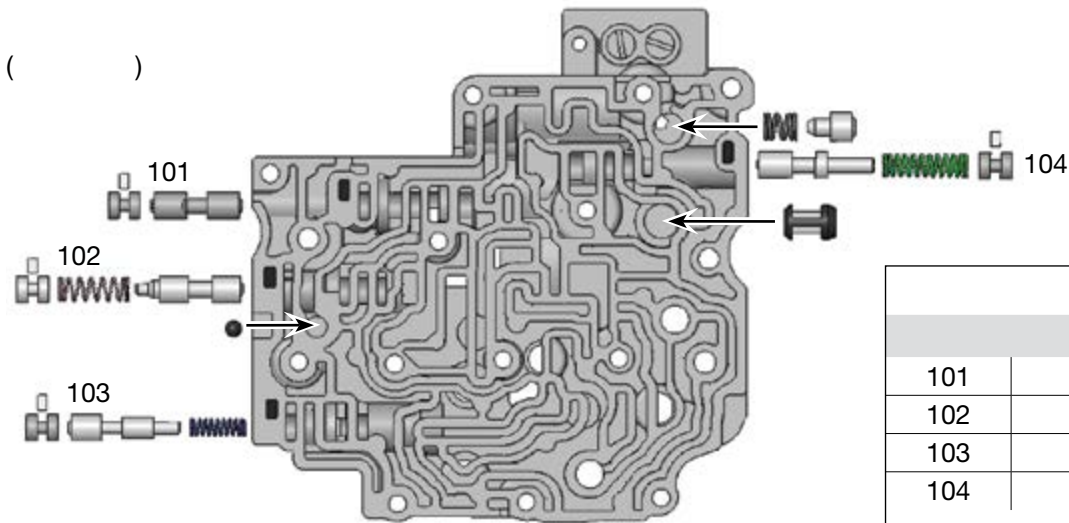


Sonnax.

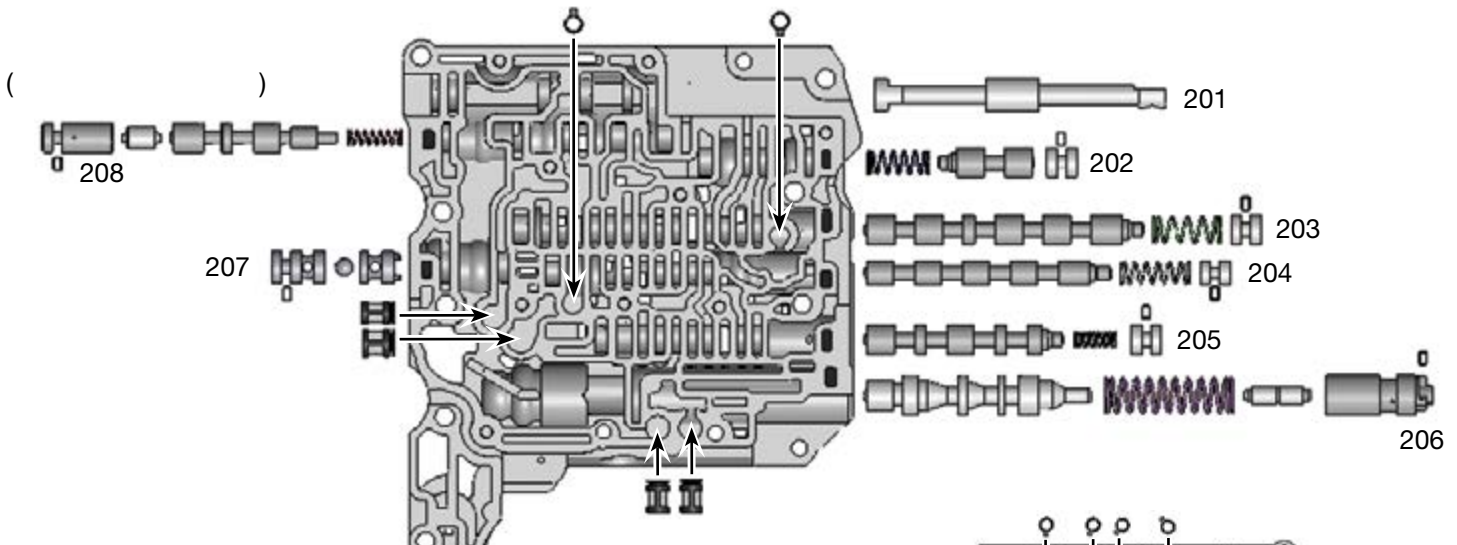
**AW55-50SN**



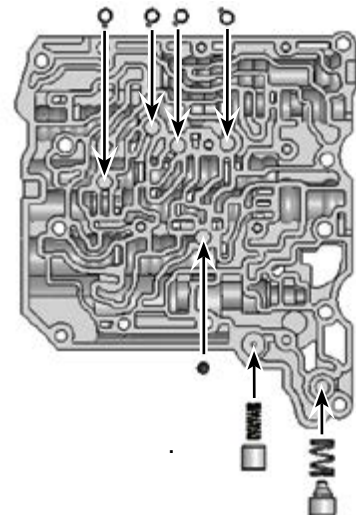
• **AW55-50SN**



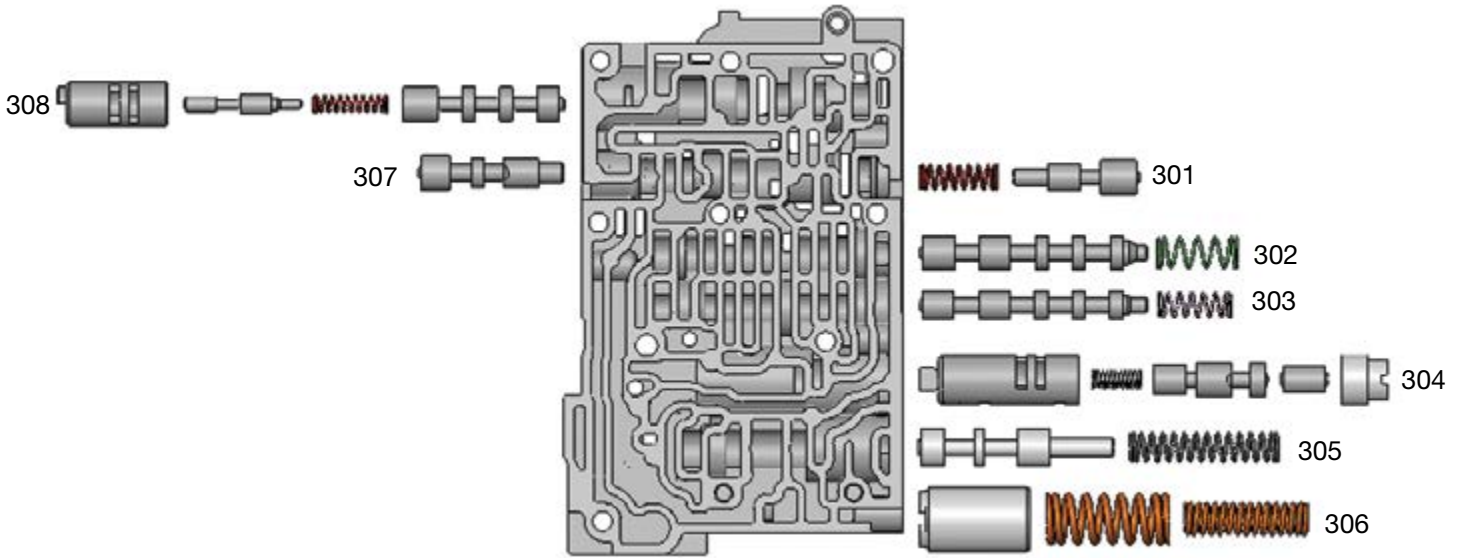
101	Forward (C1)
102	-
103	2nd (B1)
104	-



201	
202	3rd (B4)
203	U1
204	M1
205	U2
206	
207	. Reverse
208	



**No. 2 • AW55-50SN**



↑	
301	3rd (B4)
302	-
303	M2
304	
305	-
306	(SLT)
307	1-2 Reverse (B5)
308	-

↓ <b>No. 2</b>	
401	
402	-
403	Reverse 2nd (B2)

