

Ford 4R/5R44E, 4R/5R55E

sonnax®

TIME TESTED • INDUSTRY TRUSTED®

1 Automatic Drive • P.O. Box 440 • Bellows Falls, VT 05101-0440 USA
(800) 843-2600 • (802) 463-9722 • F: (802) 463-4059 • www.sonnax.com



This Sonnax kit also is available, see www.sonnax.com for details.

Zip Kit®
4R44E-5R55E-ZIP

Click on Sonnax part numbers to see more information.

1 37947-07K
TCC Modulator Sleeve Kit



Helps cure:

- No TCC apply
- Code 1741

Note: Requires tool kit 37947-TL5.

2 37947-09K
TCC Regulator Sleeve Kit



Helps cure:

- Converter apply issues
- High TCC slip

Note: Requires tool kit 37947-TL9.

3 37947-38
TCC Regulator Valve

Helps cure:

- Converter apply issues
- Scratched/Damaged OE valve

4 37947-46K
TCC Regulator Valve Spring Kit

Helps cure:

- Low TCC apply pressure due to relaxed/damaged spring

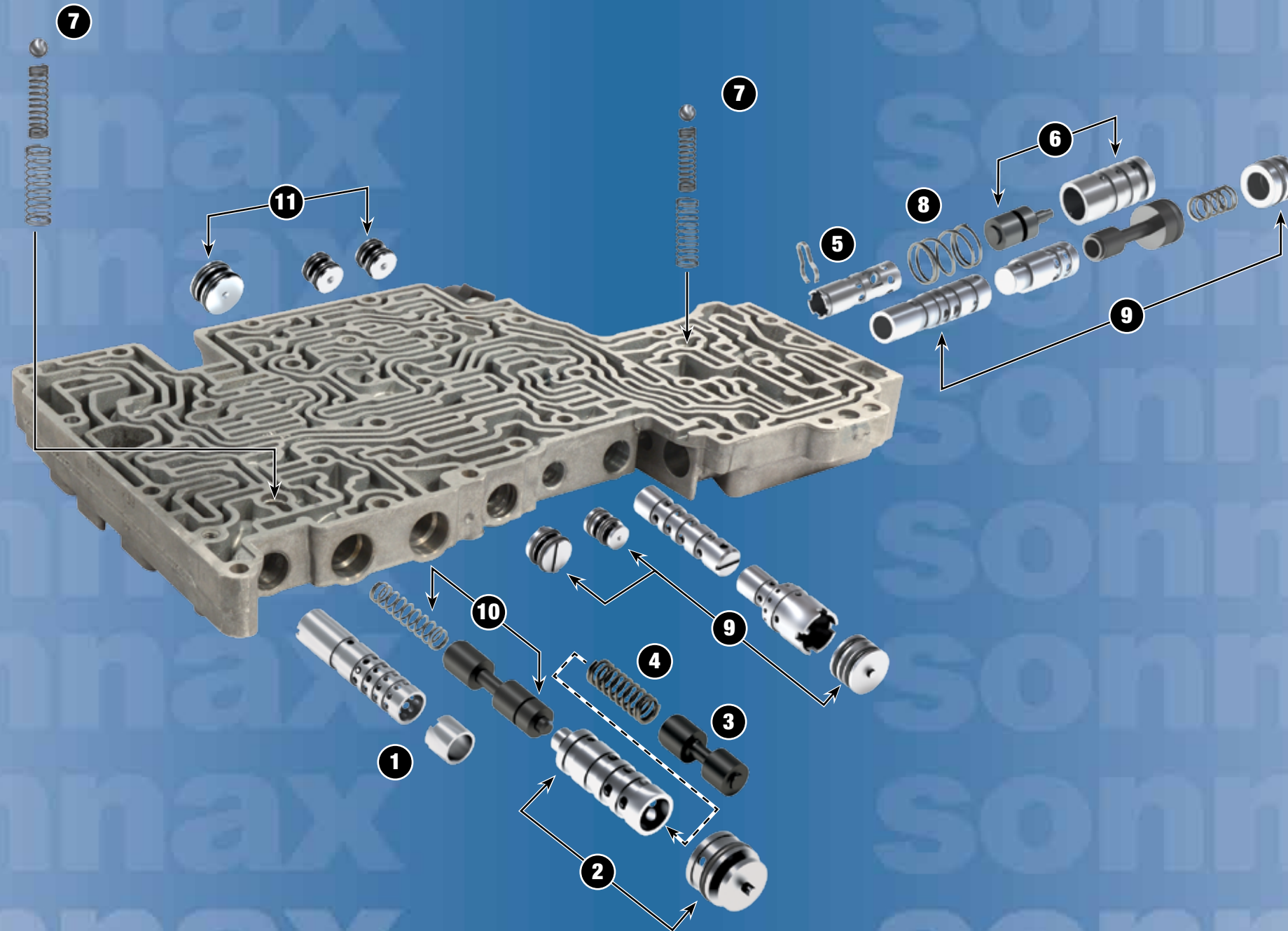
5 37947-05K
Pressure Regulator Sleeve Kit



Helps cure:

- Delayed engagement
- Soft shifts
- Delayed reverse

Note: Requires tool kit 37947-TL5.



6 37947-01K OE Ratio
37947-03K Increased Ratio
Boost Valve & Sleeve Kits

Helps cure:

- High/Low line pressure
- Low cooler flow at idle

7 37947-40K
EPC & TCC Relief Valve Kit



Helps cure:

- Low EPC pressure
- Flare upshifts

Note: Requires tool kit 37947-TL40.

8 56947-17
Elevated Pressure Main Pressure Regulator Spring

Helps cure:

- Low baseline pressure

9 37947-11K
EPC & Engagement Control Kit



Helps cure:

- Poor shift quality
- Delayed forward/no reverse

Note: Requires tool kit 37947-TL11.

10 37947-33K
Oversized Coast Clutch Valve Kit



Helps cure:

- No 4th gear
- No 2nd or 5th gear

Note: Requires tool kit 37947-TL33.

11 37947-13K
End Plug Kit

Helps cure:

- Loss of 3rd & 4th hot